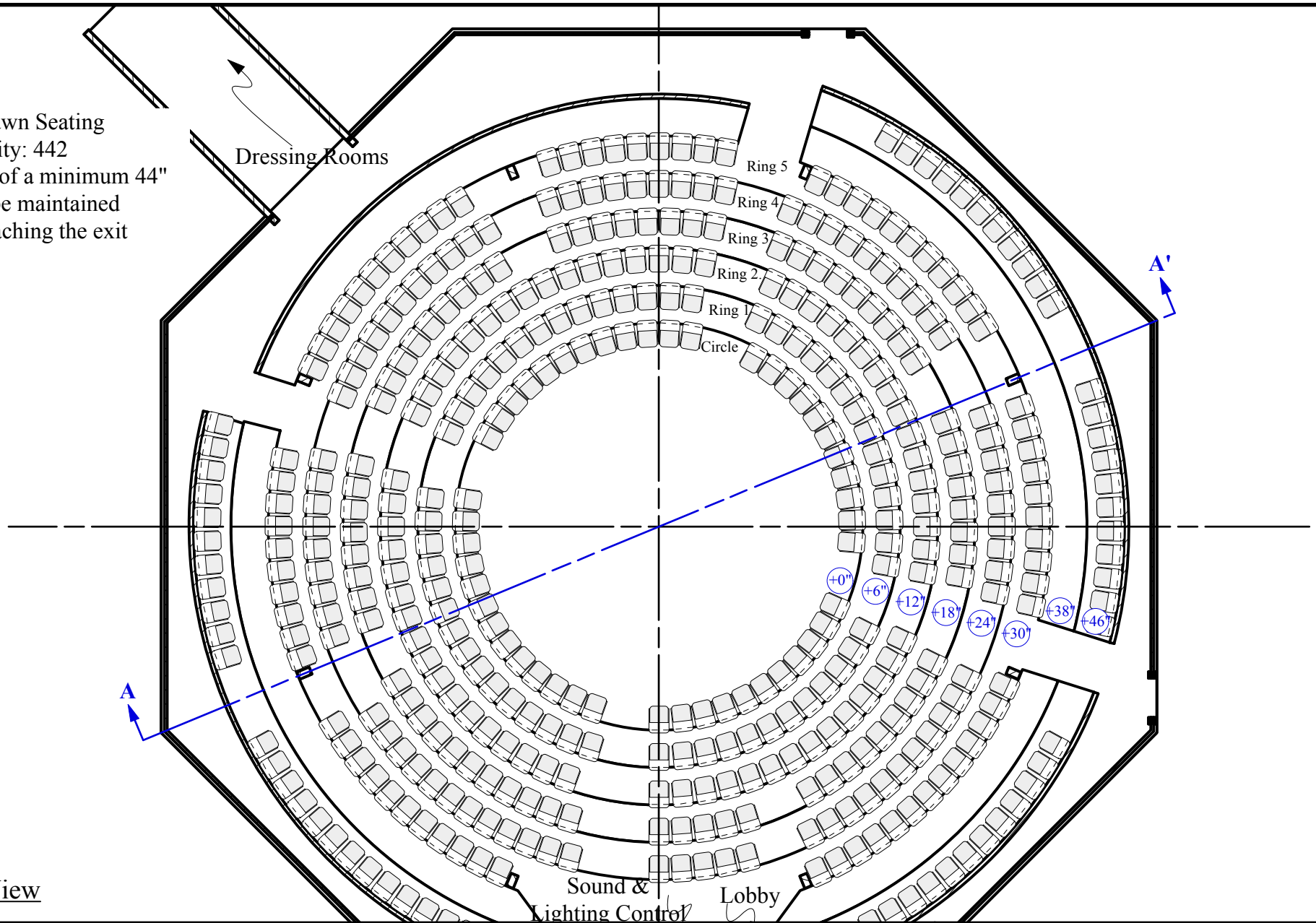


-As Drawn Seating  
Capacity: 442  
-Aisles of a minimum 44"  
must be maintained  
approaching the exit  
doors.



Plan View



Director:  
-  
Set Designer:  
-  
Draftsperson:  
Weston Wilkerson

*Ula Love Doughty Carousel Theatre*  
**Groundplan**

Plate Group:

-

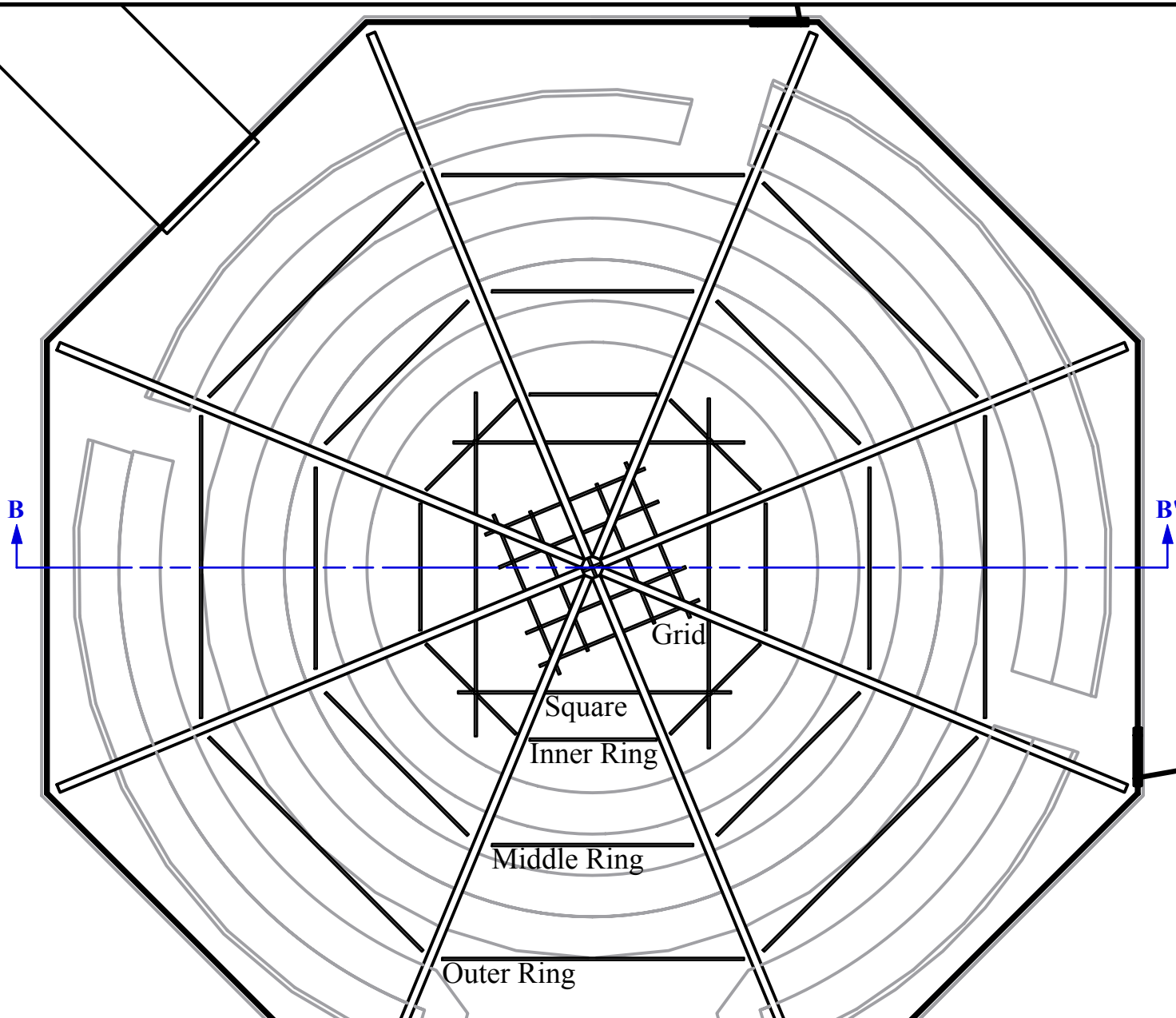
Rev Date  
8/21/09

Rev #  
**01**

Plate Number:

**01 of 03**

Scale:  
3/32"=1'-0"



Top View



Director:  
-  
Set Designer:  
-  
Draftsperson:  
Weston Wilkerson

*Ula Love Doughty Carousel Theatre*  
Groundplan: Lighting Detail

Plate Group:

-

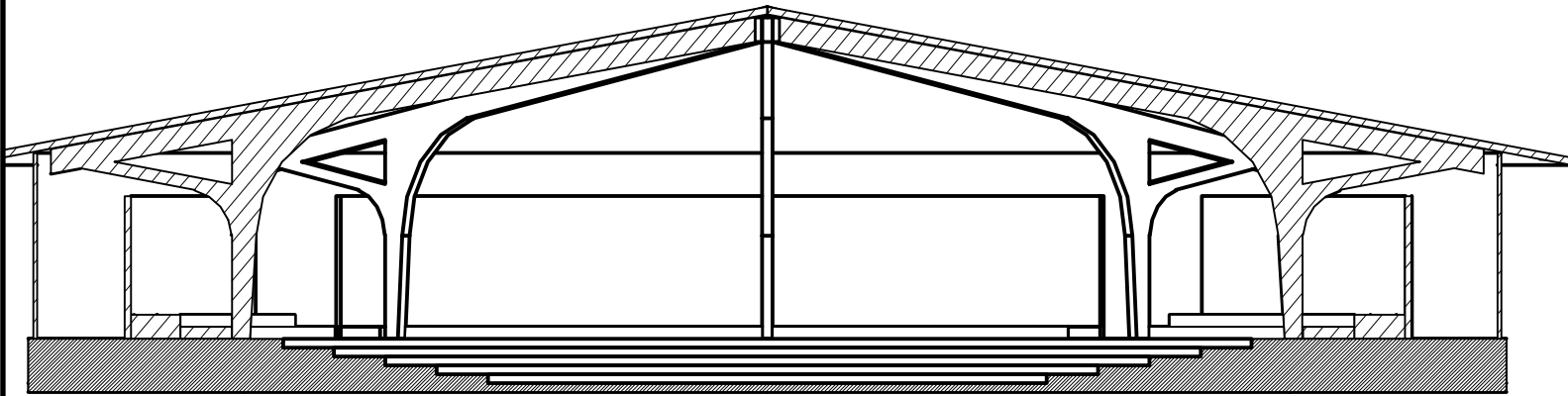
Rev Date  
7/10/08

Rev #  
**Org**

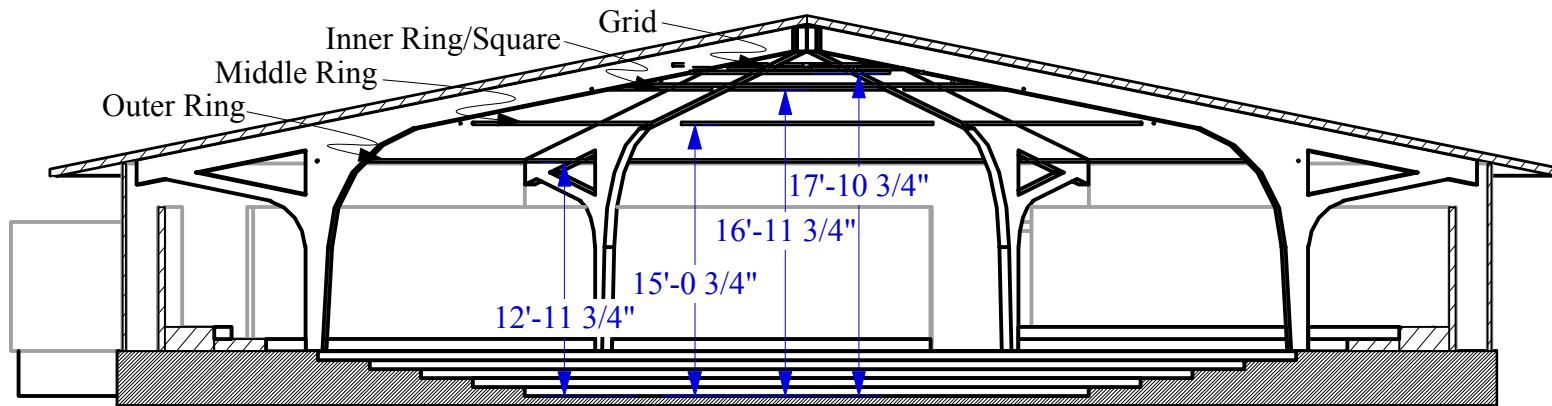
Plate Number:

**02 of 03**

Scale:  
3/32"=1'-0"



Section A-A'



Section B-B'



Director:  
-  
Set Designer:  
-  
Draftsperson:  
Weston Wilkerson

*Ula Love Doughty Carousel Theatre*  
**Sections**

Plate Group:

-

Rev Date  
8/21/09

Rev #  
**02**

Plate Number:

**03 of 03**

Scale:  
3/32"=1'-0"